

SPU4 (A846)

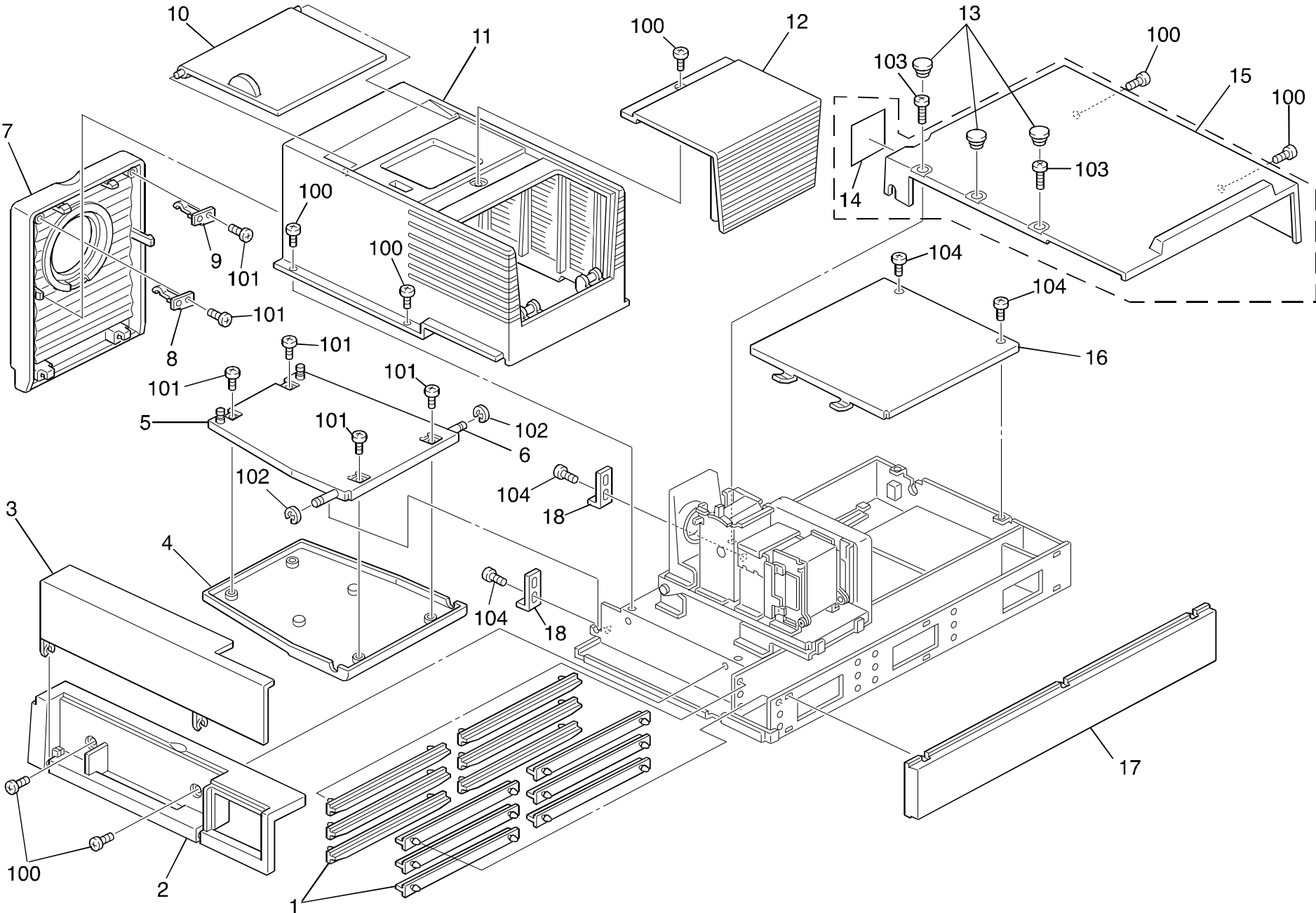
PARTS CATALOG

INTRODUCTION

This chapter instructs you the numbers and names of parts on this machine.

| | |
|----------------------------------|-----------|
| 1.EXTERIOR (A846) | 2 |
| 2.LENS UNIT (A846) | 4 |
| 3.ELECTRICAL SECTION (A846)..... | 6 |
| 4.MIRROR UNIT (A846)..... | 8 |
| 5.ACCESSORIES (A846)..... | 10 |
| PARTS INDEX | 13 |

1.EXTERIOR (A846)

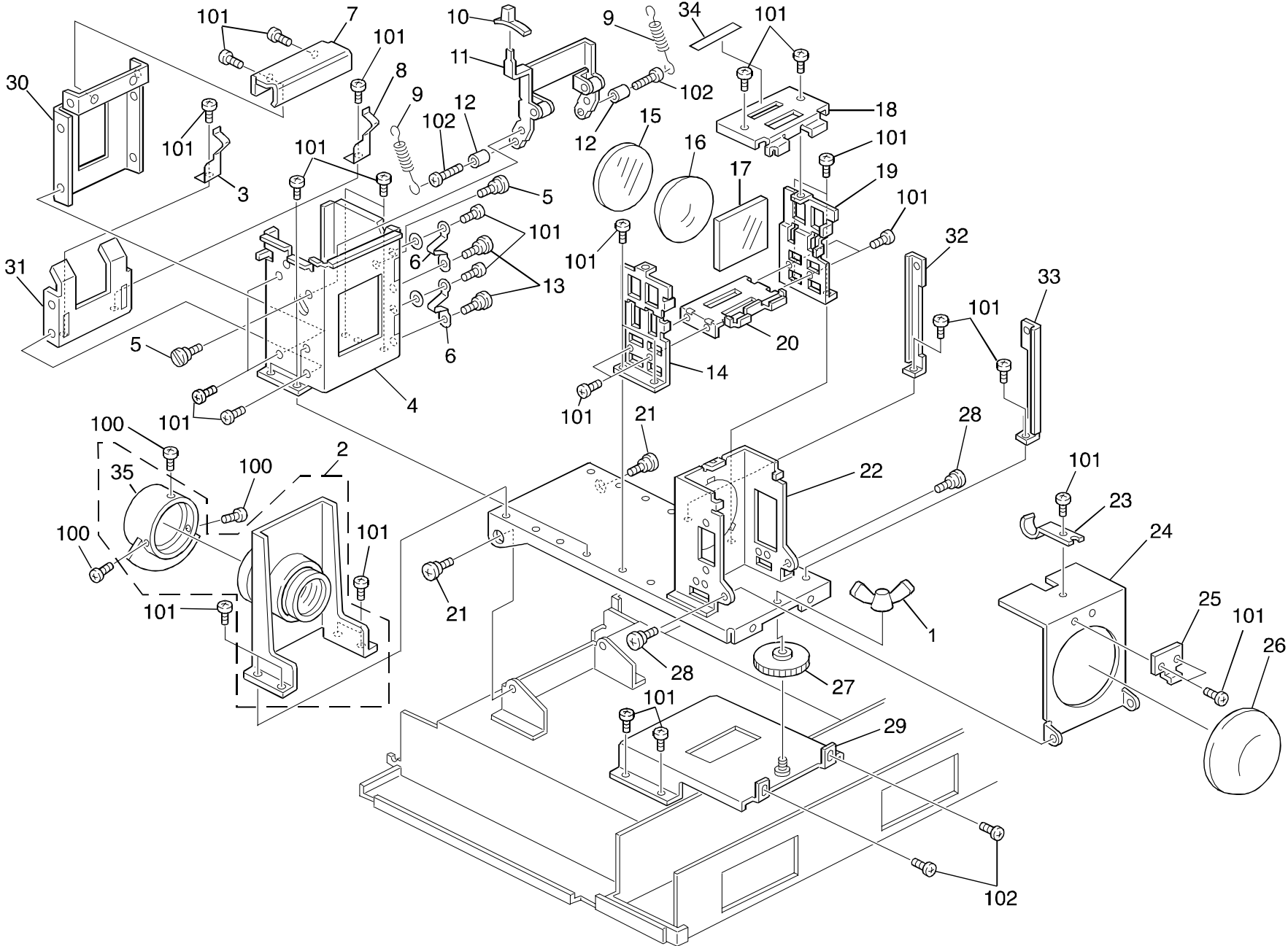


1.EXTERIOR (A846)

| Index No. | Part No. | Description | Q'ty Per Assembly |
|-----------|-----------|---------------------------|-------------------|
| 1 | A998 4140 | Guide Rail | 12 |
| 2 | A718 4080 | Front Cover | 1 |
| 3 | A718 4020 | Front Door | 1 |
| 4 | A718 4060 | Joint Cover | 1 |
| 5 | A846 4070 | Mirror Position Plate | 1 |
| 6 | A998 4150 | Joint Shaft | 1 |
| 7 | A718 3010 | Left Cover | 1 |
| 8 | A998 3020 | Lens Cover Holder - Front | 1 |
| 9 | A998 3030 | Lens Cover Holder - Rear | 1 |
| 10 | A718 3380 | Top Cover | 1 |
| 11 | A718 5337 | Lens Unit Cover | 1 |
| 12 | A718 3390 | Lamp Cover | 1 |
| 13 | A998 4100 | Rear Cover Cap | 3 |
| 14 | A718 9041 | Decal - Main Switch | 1 |
| 15 | A718 5410 | Rear Cover | 1 |
| 16 | A998 4130 | Shield Plate | 1 |
| 17 | A718 4030 | Right Cover | 1 |
| 18 | A998 4160 | Joint Shaft Holder | 2 |

| Index No. | Part No. | Description | Q'ty Per Assembly |
|-----------|------------|------------------------------------|-------------------|
| 100 | 0354 0060W | Philips Truss Head Screw - M4x6 | |
| 101 | 0354 0080B | Screw - M4x8 | |
| 102 | 0720 0040E | Retaining Ring - M4 | |
| 103 | 0354 0100W | Philips Pan Head Screw - M4x10 | |
| 104 | 0353 0040W | Philips Pan Head Bind Screw - M4x3 | |

2.LENS UNIT (A846)

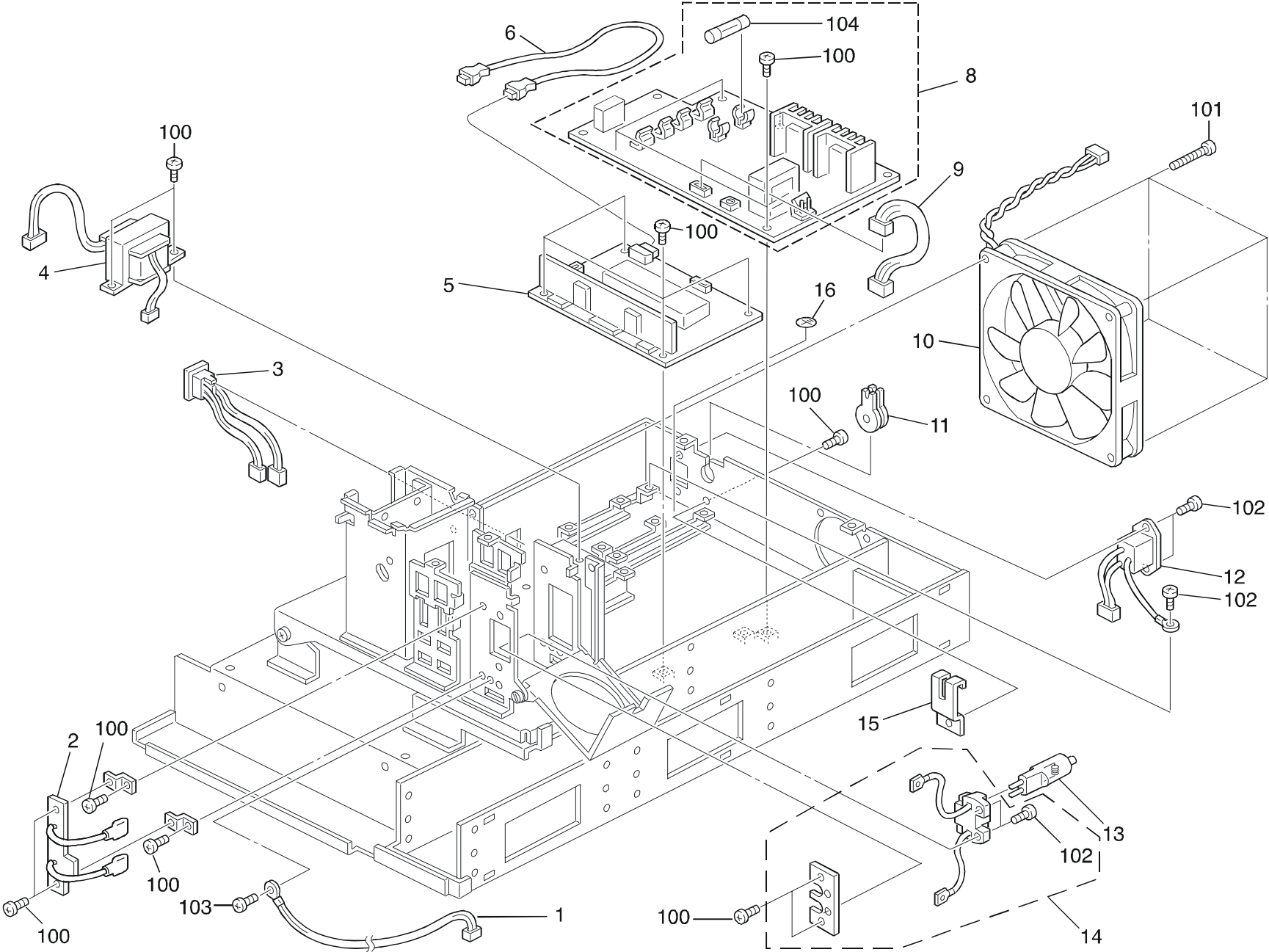


2.LENS UNIT (A846)

| Index No. | Part No. | Description | Q'ty Per Assembly |
|-----------|-----------|----------------------------|-------------------|
| 1 | A718 3500 | Nut Holder | 1 |
| 2 | A718 1250 | Projection Lens | 1 |
| 3 | A998 3170 | Front Position Spring | 1 |
| 4 | A998 5306 | Slide Holder Guide | 1 |
| 5 | A998 6050 | Stepped Screw - Lever | 2 |
| 6 | A998 3100 | Rear Spring Plate | 2 |
| 7 | A998 3070 | Filter Guide | 1 |
| 8 | A998 3090 | Front Spring Plate | 1 |
| 9 | A998 3140 | Pressure Spring | 2 |
| 10 | A718 3130 | Position Lever Knob | 1 |
| 11 | A998 3110 | Holder Lever | 1 |
| 12 | A998 3120 | Spacer | 2 |
| 13 | A998 6040 | Stepped Screw - Spring | 2 |
| 14 | A998 3180 | Front Condenser Lens Plate | 2 |
| 15 | A998 0070 | 1st Condenser Lens | 1 |
| 16 | A998 0080 | 2nd Condenser Lens | 1 |
| 17 | A998 0650 | Heate Filter | 1 |
| 18 | A998 3200 | Upper Condencer Lens Plate | 1 |
| 19 | A998 3190 | Rear Condenser Lens Plate | 1 |
| 20 | A998 3210 | Lower Condencer Lens Plate | 1 |
| 21 | A998 6030 | Stepped Screw | 2 |
| 22 | A998 1222 | Non-spherical Lens Ass'y | 1 |
| 23 | A998 3290 | Reflector Lock Spring | 1 |
| 24 | A998 3270 | Reflector Cover | 1 |
| 25 | A998 3280 | Reflector Holder | 1 |
| 26 | A998 0840 | Reflector | 1 |
| 27 | A998 3360 | Adjusting Nut | 1 |
| 28 | A998 6010 | Stepped Screw | 2 |
| 29 | A718 3350 | Adjusting Nut Bracket | 1 |
| 30 | A998 3080 | Upper Left Guide | 1 |
| 31 | A998 3150 | Lower Left Guide | 1 |
| 32 | A998 3311 | Left Bracket | 1 |
| 33 | A998 3320 | Right Bracket | 1 |
| 34 | A998 9111 | Caution Decal | 1 |
| 35 | A718 3040 | Lens Cover | 1 |

| Index No. | Part No. | Description | Q'ty Per Assembly |
|-----------|------------|------------------------------------|-------------------|
| 100 | 0413 0064W | Binding Self Tapping Screw - M3X6 | |
| 101 | 0353 0040W | Philips Pan Head Bind Screw - M4x3 | |
| 102 | 0353 0080W | Tapping Screw - M3x8 | |

3.ELECTRICAL SECTION (A846)

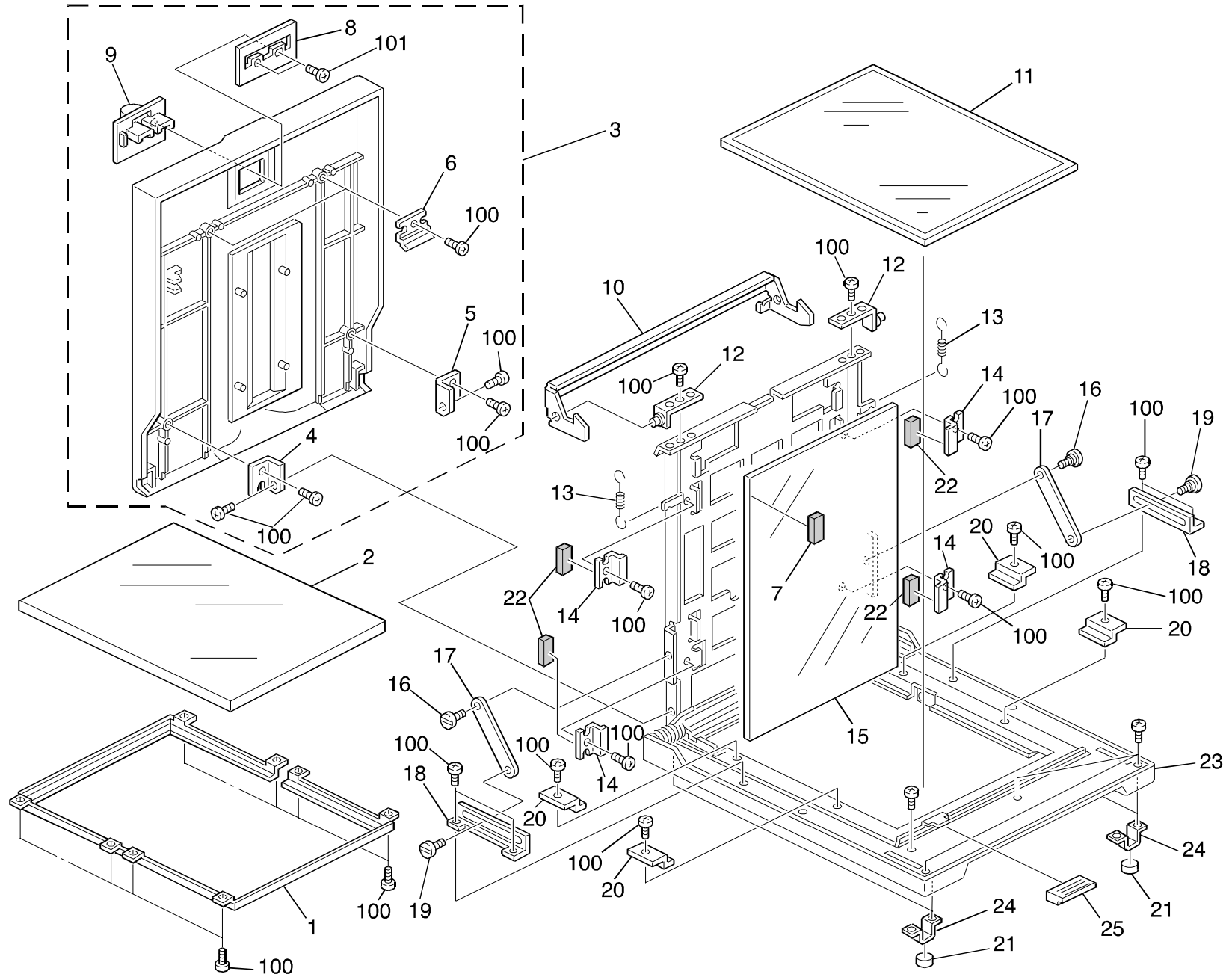


3.ELECTRICAL SECTION (A846)

| Index No. | Part No. | Description | Q'ty Per Assembly |
|-----------|-----------|-------------------------------|-------------------|
| 1 | A998 8071 | Lamp Thermistor | 1 |
| 2 | A998 5803 | Lamp Thermofuse | 1 |
| 3 | A998 5805 | Main Switch | 1 |
| 4 | A998 8061 | Transformer - 115V | 1 |
| 4 | A998 8062 | Transformer - 230V | 1 |
| 5 | A718 5802 | DC Control Board | 1 |
| 6 | AW03 0029 | Fiber Cable - 800 | 1 |
| 8 | A846 5801 | DC Power Supply Unit - 115V | 1 |
| 8 | A846 8013 | DC Power Supply Unit - 230V | 1 |
| 9 | A998 5812 | DC Harness | 1 |
| 10 | A998 5804 | Lamp Cooling Fan | 1 |
| 11 | A998 4220 | Bushing | 1 |
| 12 | A998 8081 | Power Supply Connector - 115V | 1 |
| 13 | A846 8100 | Projection Lamp | 1 |
| 14 | A998 1221 | Projector Lamp Holder | 1 |
| 15 | A998 3470 | Bushing Cover | 1 |
| 16 | AA00 1190 | Decal - Ground | 1 |

| Index No. | Part No. | Description | Q'ty Per Assembly |
|-----------|------------|------------------------------------|-------------------|
| 100 | 0353 0040W | Philips Pan Head Bind Screw - M4x3 | |
| 101 | 0314 0300B | Philips Pan Head Screw - M4x30 | |
| 102 | 0353 0080W | Tapping Screw - M3x8 | |
| 103 | 0354 0060W | Philips Truss Head Screw - M4x6 | |
| 104 | 1107 0628 | Fuse, 125V, 3.15A (115V) | |
| 104 | 1107 0750 | Fuse (Glass Case) - 3.15A - 250V | |

4.MIRROR UNIT (A846)

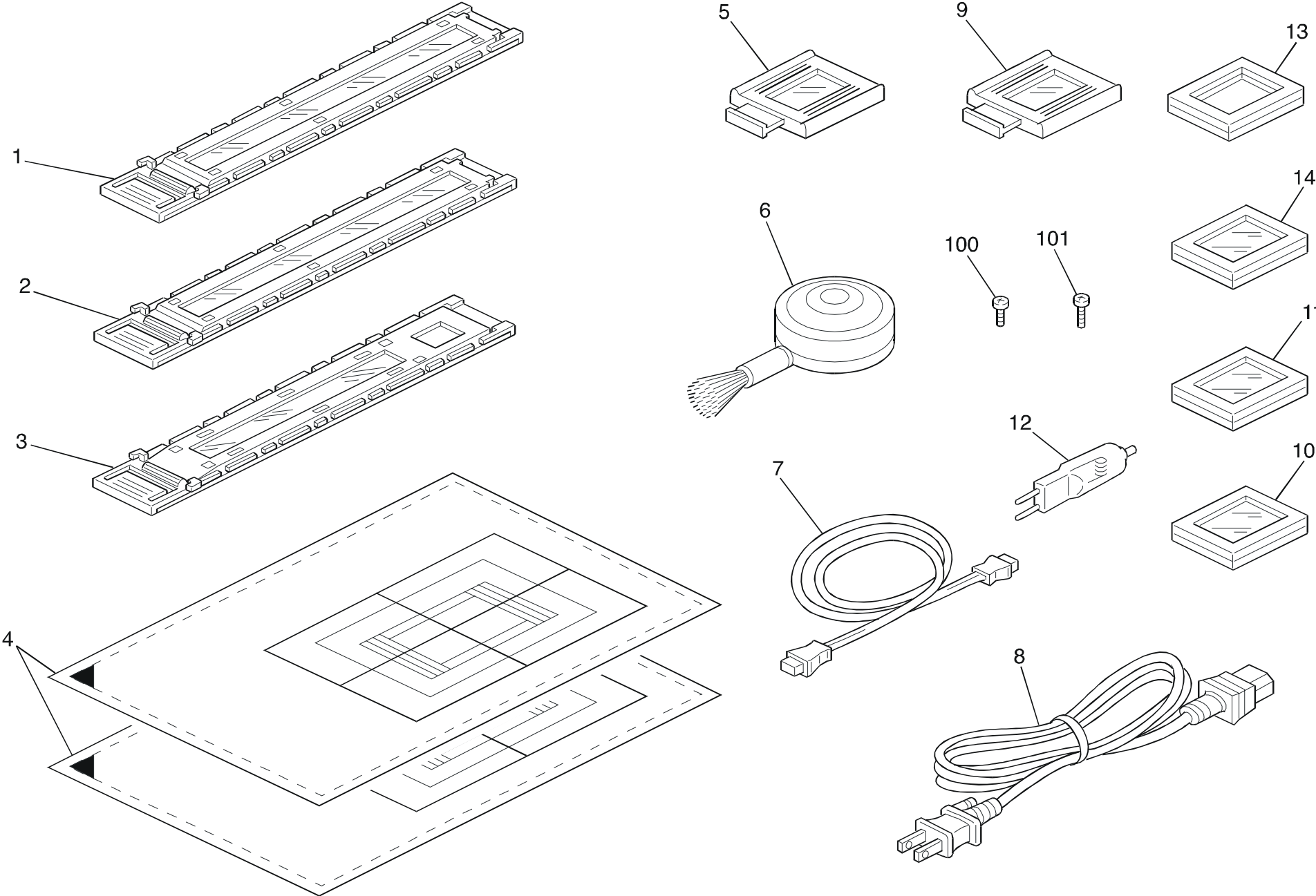


4.MIRROR UNIT (A846)

| Index No. | Part No. | Description | Q'ty Per Assembly |
|-----------|-----------|------------------------------|-------------------|
| 1 | A998 2140 | Lens Guard Holder | 1 |
| 2 | A718 0550 | Fresnel Lens Guard | 1 |
| 3 | A718 5202 | Upper Mirror Cover | 1 |
| 4 | A998 2050 | Mirror Cover Bracket - Front | 1 |
| 5 | A998 2060 | Mirror Cover Bracket - Rear | 1 |
| 6 | A998 2040 | Mirror Cover Bracket - Upper | 2 |
| 7 | A718 2500 | Fresnel Lens Cushion | 1 |
| 8 | A998 2280 | Lever Bracket | 1 |
| 9 | A718 2270 | Mirror Lock Lever | 1 |
| 10 | A998 2290 | Mirror Lock Lever | 1 |
| 11 | A846 0820 | Fresnel Lens | 1 |
| 12 | A998 2400 | Lever Holder | 2 |
| 13 | A998 3140 | Pressure Spring | 2 |
| 14 | A998 2080 | Mirror Holder | 4 |
| 15 | A998 0410 | Mirror | 1 |
| 16 | A998 6020 | Arm Guide Screw | 2 |
| 17 | A998 2230 | Guide Arm | 2 |
| 18 | A998 2240 | Arm Guide Rail | 2 |
| 19 | A998 6060 | Arm Guide Pin | 2 |
| 20 | A998 2130 | Fresnel Lens Holder | 4 |
| 21 | A998 2330 | Rubber Foot | 4 |
| 22 | A998 2410 | Mirror Holder Cusion | 4 |
| 23 | A718 2010 | Lower Cover | 1 |
| 24 | A998 2200 | Rubber Foot Bracket | 4 |
| 25 | A718 2120 | Fresnel Lens Grip | 1 |

| Index No. | Part No. | Description | Q'ty Per Assembly |
|-----------|------------|------------------------------------|-------------------|
| 100 | 0353 0040W | Philips Pan Head Bind Screw - M3x4 | |
| 101 | 0413 0082Z | Tapping Screw - M3x8 | |

5.ACCESSORIES (A846)



5.ACCESSORIES (A846)

| Index No. | Part No. | Description | Q'ty Per Assembly |
|-----------|-----------|-------------------------------------|-------------------|
| 1 | A718 5503 | Film Slide Holder - Strip Film | 1 |
| 2 | A718 5502 | Film Slide Holder - Mount Film | 1 |
| 3 | A718 5501 | Film Slide Holder - Glass Mountfilm | 1 |
| 4 | A846 6970 | Position Sheet - C/D | 2 |
| 5 | A718 5507 | Correction Filter - Negative | 1 |
| 6 | A998 6930 | Blower Brush | 1 |
| 7 | AW03 0029 | Fiber Cable - 800 | 1 |
| 8 | A998 8091 | Power Cord - 115V | 1 |
| 8 | A998 8092 | Power Cord - 230V | 1 |
| 9 | A718 5506 | Correction Filter - Positive | 1 |
| 10 | A846 6980 | Base Film - AGFA HDC100 | 1 |
| 11 | A846 6950 | Negative Film - FJ SGA100 | 1 |
| 12 | A846 8100 | Projection Lamp | 1 |
| 13 | A998 6920 | Film Strip Holder | 1 |
| 14 | A846 6940 | Negative Film - KD G100 | 1 |

| Index No. | Part No. | Description | Q'ty Per Assembly |
|-----------|------------|---------------|-------------------|
| 100 | 0354 0080B | Screw - M4x8 | |
| 101 | 0354 0120B | Screw - M4x12 | |

PARTS INDEX

| Part No. | Description | Page and Index No. |
|-----------|-----------------------------|--------------------|
| A846 0820 | Fresnel Lens | 9- 11 |
| A846 4070 | Mirror Position Plate | 3- 5 |
| A846 5801 | DC Power Supply Unit - 115V | 7- 8 |
| A846 6940 | Negative Film - KD G100 | 11- 14 |
| A846 6950 | Negative Film - FJ SGA100 | 11- 11 |
| A846 6970 | Position Sheet - C/D | 11- 4 |
| A846 6980 | Base Film - AGFA HDC100 | 11- 10 |
| A846 8013 | DC Power Supply Unit - 230V | 7- 8 |
| A846 8100 | Projection Lamp | 7- 13 |
| A846 8100 | Projection Lamp | 11- 12 |

| Part No. | Description | Page and Index No |
|-----------|-------------------|-------------------|
| AA00 1190 | Decal - Ground | 7- 16 |
| AW03 0029 | Fiber Cable - 800 | 7- 6 |
| AW03 0029 | Fiber Cable - 800 | 11- 7 |

| Part No. | Description | Page and Index No. |
|-----------|-------------------------------------|--------------------|
| A718 0550 | Fresnel Lens Guard | 9- 2 |
| A718 1250 | Projection Lens | 5- 2 |
| A718 2010 | Lower Cover | 9- 23 |
| A718 2120 | Fresnel Lens Grip | 9- 25 |
| A718 2270 | Mirror Lock Lever | 9- 9 |
| A718 2500 | Fresnel Lens Cushion | 9- 7 |
| A718 3010 | Left Cover | 3- 7 |
| A718 3040 | Lens Cover | 5- 35 |
| A718 3130 | Position Lever Knob | 5- 10 |
| A718 3350 | Adjusting Nut Bracket | 5- 29 |
| A718 3380 | Top Cover | 3- 10 |
| A718 3390 | Lamp Cover | 3- 12 |
| A718 3500 | Nut Holder | 5- 1 |
| A718 4020 | Front Door | 3- 3 |
| A718 4030 | Right Cover | 3- 17 |
| A718 4060 | Joint Cover | 3- 4 |
| A718 4080 | Front Cover | 3- 2 |
| A718 5202 | Upper Mirror Cover | 9- 3 |
| A718 5337 | Lens Unit Cover | 3- 11 |
| A718 5410 | Rear Cover | 3- 15 |
| A718 5501 | Film Slide Holder - Glass Mountfilm | 11- 3 |
| A718 5502 | Film Slide Holder - Mount Film | 11- 2 |
| A718 5503 | Film Slide Holder - Strip Film | 11- 1 |
| A718 5506 | Correction Filter - Positive | 11- 9 |
| A718 5507 | Correction Filter - Negative | 11- 5 |
| A718 5802 | DC Control Board | 7- 5 |
| A718 9041 | Decal - Main Switch | 3- 14 |
| A998 0070 | 1st Condenser Lens | 5- 15 |
| A998 0080 | 2nd Condenser Lens | 5- 16 |
| A998 0410 | Mirror | 9- 15 |
| A998 0650 | Heate Filter | 5- 17 |
| A998 0840 | Reflector | 5- 26 |
| A998 1221 | Projector Lamp Holder | 7- 14 |
| A998 1222 | Non-spherical Lens Ass'y | 5- 22 |
| A998 2040 | Mirror Cover Bracket - Upper | 9- 6 |

| Part No. | Description | Page and Index No |
|-----------|------------------------------|-------------------|
| A998 2050 | Mirror Cover Bracket - Front | 9- 4 |
| A998 2060 | Mirror Cover Bracket - Rear | 9- 5 |
| A998 2080 | Mirror Holder | 9- 14 |
| A998 2130 | Fresnel Lens Holder | 9- 20 |
| A998 2140 | Lens Guard Holder | 9- 1 |
| A998 2200 | Rubber Foot Bracket | 9- 24 |
| A998 2230 | Guide Arm | 9- 17 |
| A998 2240 | Arm Guide Rail | 9- 18 |
| A998 2280 | Lever Bracket | 9- 8 |
| A998 2290 | Mirror Lock Lever | 9- 10 |
| A998 2330 | Rubber Foot | 9- 21 |
| A998 2400 | Lever Holder | 9- 12 |
| A998 2410 | Mirror Holder Cusion | 9- 22 |
| A998 3020 | Lens Cover Holder - Front | 3- 8 |
| A998 3030 | Lens Cover Holder - Rear | 3- 9 |
| A998 3070 | Filter Guide | 5- 7 |
| A998 3080 | Upper Left Guide | 5- 30 |
| A998 3090 | Front Spring Plate | 5- 8 |
| A998 3100 | Rear Spring Plate | 5- 6 |
| A998 3110 | Holder Lever | 5- 11 |
| A998 3120 | Spacer | 5- 12 |
| A998 3140 | Pressure Spring | 9- 13 |
| A998 3140 | Pressure Spring | 5- 9 |
| A998 3150 | Lower Left Guide | 5- 31 |
| A998 3170 | Front Position Spring | 5- 3 |
| A998 3180 | Front Condenser Lens Plate | 5- 14 |
| A998 3190 | Rear Condenser Lens Plate | 5- 19 |
| A998 3200 | Upper Condencer Lens Plate | 5- 18 |
| A998 3210 | Lower Condencer Lens Plate | 5- 20 |
| A998 3270 | Reflector Cover | 5- 24 |
| A998 3280 | Reflector Holder | 5- 25 |
| A998 3290 | Reflector Lock Spring | 5- 23 |
| A998 3311 | Left Bracket | 5- 32 |
| A998 3320 | Right Bracket | 5- 33 |
| A998 3360 | Adjusting Nut | 5- 27 |

| Part No. | Description | Page and Index No. |
|-----------|-------------------------------|--------------------|
| A998 3470 | Bushing Cover | 7- 15 |
| A998 4100 | Rear Cover Cap | 3- 13 |
| A998 4130 | Shield Plate | 3- 16 |
| A998 4140 | Guide Rail | 3- 1 |
| A998 4150 | Joint Shaft | 3- 6 |
| A998 4160 | Joint Shaft Holder | 3- 18 |
| A998 4220 | Bushing | 7- 11 |
| A998 5306 | Slide Holder Guide | 5- 4 |
| A998 5803 | Lamp Thermofuse | 7- 2 |
| A998 5804 | Lamp Cooling Fan | 7- 10 |
| A998 5805 | Main Switch | 7- 3 |
| A998 5812 | DC Harness | 7- 9 |
| A998 6010 | Stepped Screw | 5- 28 |
| A998 6020 | Arm Guide Screw | 9- 16 |
| A998 6030 | Stepped Screw | 5- 21 |
| A998 6040 | Stepped Screw - Spring | 5- 13 |
| A998 6050 | Stepped Screw - Lever | 5- 5 |
| A998 6060 | Arm Guide Pin | 9- 19 |
| A998 6920 | Film Strip Holder | 11- 13 |
| A998 6930 | Blower Brush | 11- 6 |
| A998 8061 | Transformer - 115V | 7- 4 |
| A998 8062 | Transformer - 230V | 7- 4 |
| A998 8071 | Lamp Thermistor | 7- 1 |
| A998 8081 | Power Supply Connector - 115V | 7- 12 |
| A998 8091 | Power Cord - 115V | 11- 8 |
| A998 8092 | Power Cord - 230V | 11- 8 |
| A998 9111 | Caution Decal | 5- 34 |

| Part No. | Description | Page and Index No |
|------------|------------------------------------|-------------------|
| 0314 0300B | Philips Pan Head Screw - M4x30 | 7-101 |
| 0353 0040W | Philips Pan Head Bind Screw - M4x3 | 7-100 |
| 0353 0040W | Philips Pan Head Bind Screw - M3x4 | 9-100 |
| 0353 0040W | Philips Pan Head Bind Screw - M4x3 | 3-104 |
| 0353 0040W | Philips Pan Head Bind Screw - M4x3 | 5-101 |
| 0353 0080W | Tapping Screw - M3x8 | 7-102 |
| 0353 0080W | Tapping Screw - M3x8 | 5-102 |
| 0354 0060W | Philips Truss Head Screw - M4x6 | 7-103 |
| 0354 0060W | Philips Truss Head Screw - M4x6 | 3-100 |
| 0354 0080B | Screw - M4x8 | 3-101 |
| 0354 0080B | Screw - M4x8 | 11-100 |
| 0354 0100W | Philips Pan Head Screw - M4x10 | 3-103 |
| 0354 0120B | Screw - M4x12 | 11-101 |
| 0413 0064W | Binding Self Tapping Screw - M3X6 | 5-100 |
| 0413 0082Z | Tapping Screw - M3x8 | 9-101 |
| 0720 0040E | Retaining Ring - M4 | 3-102 |
| 1107 0628 | Fuse, 125V, 3.15A (115V) | 7-104 |
| 1107 0750 | Fuse (Glass Case) - 3.15A - 250V | 7-104 |